

# MOTOROLA CHASSIS HS-1137,1138,1222

## MODELS SK136,161,162,SKR135,136,161,162, SK-166, SKR-166, SKR-167

Three-Channel Stereophonic Consoles; SK versions use the HS-1137 pre-amp, SKR versions use the HS-1138 tuner pre-amp; all versions use the HS-1222 power amp.

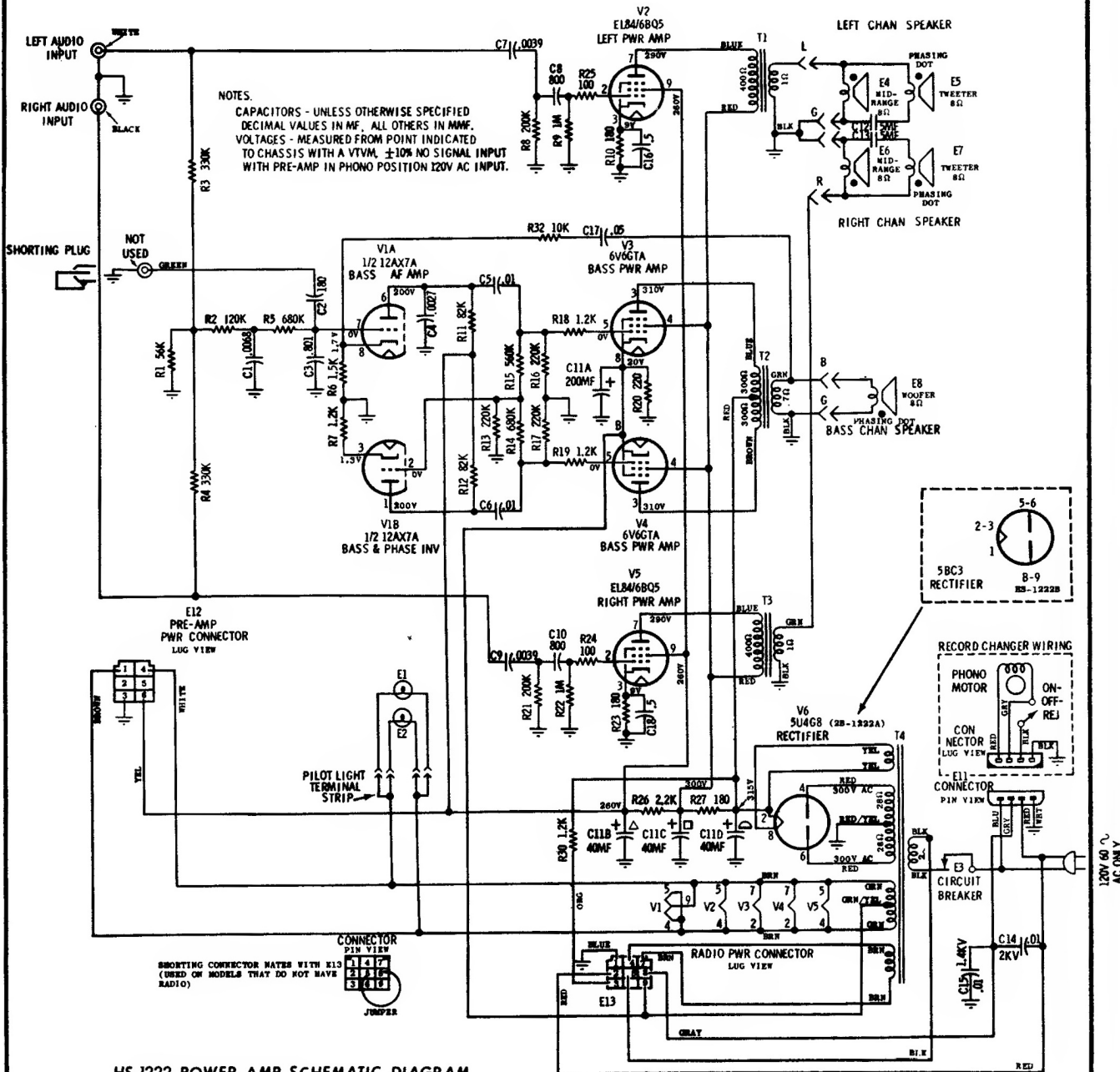
**OPERATING AMPLIFIER WITH LOAD** - Always operate the amplifier chassis with an output load (either the speakers or an 8 ohm, 10 watt resistive load) across each channel.

**SPEAKER PHASING** - Refer to the schematic diagram.

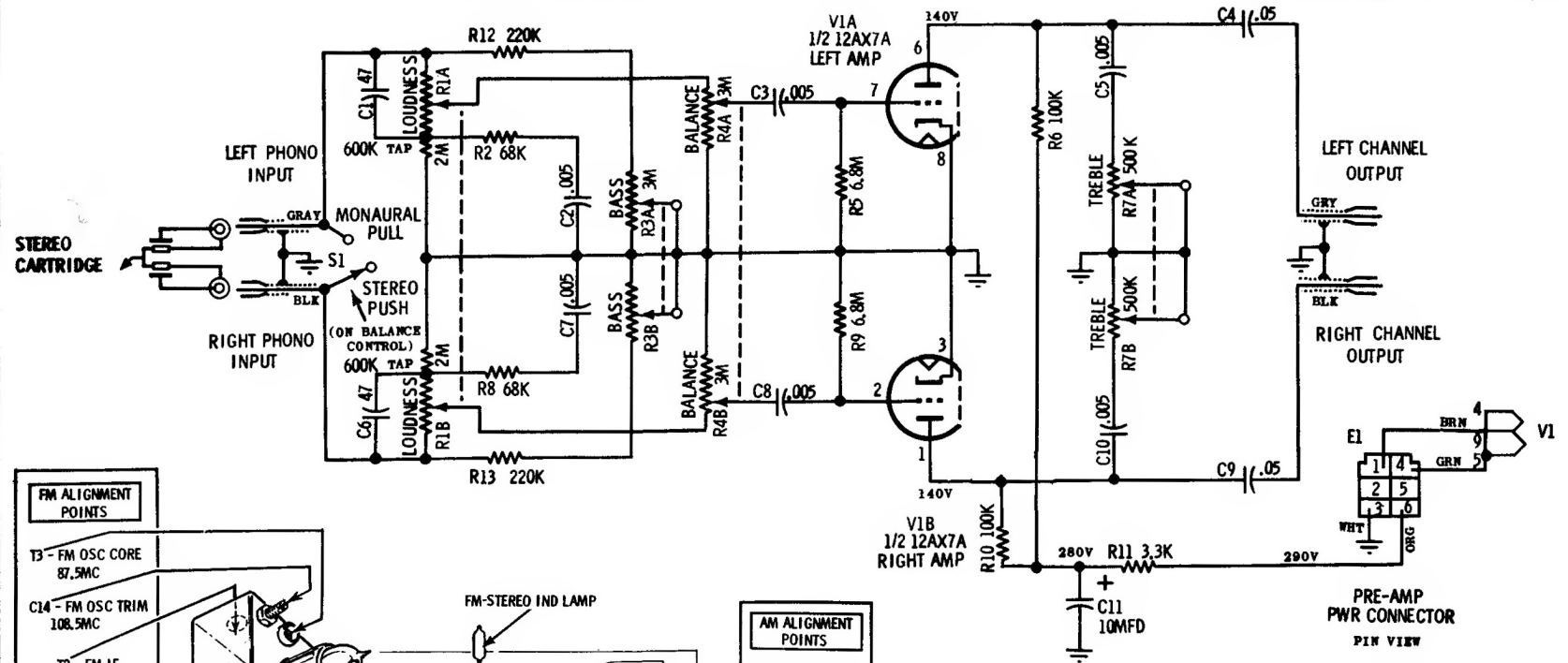
### ELECTRICAL SPECIFICATIONS

Power Supply: 120 volts, 60 cycle AC only

Power Consumption: 190 watts (includes radio power).

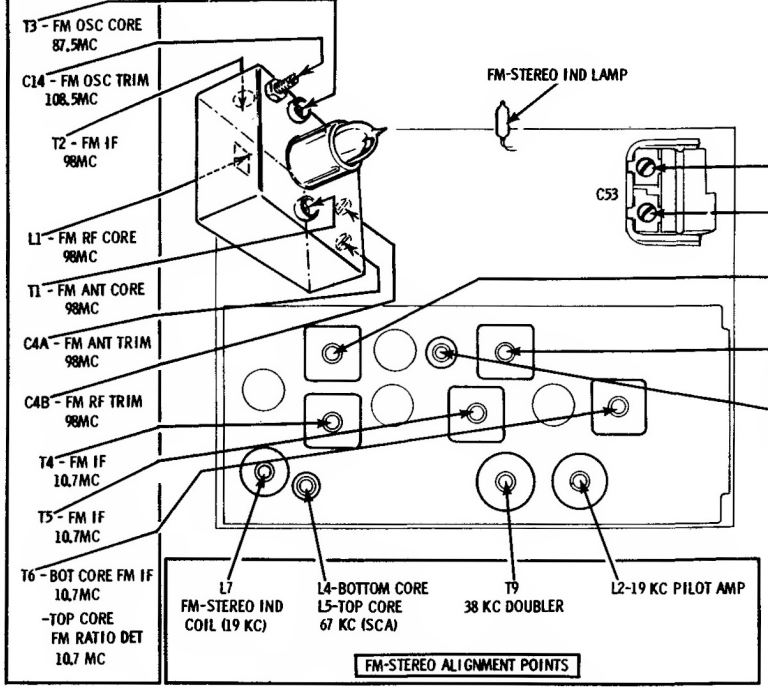


HS-1222 POWER AMP SCHEMATIC DIAGRAM



HS-1137 PRE-AMP SCHEMATIC DIAGRAM

**FM ALIGNMENT POINTS**



ALIGNMENT POINTS LOCATION

**AM ALIGNMENT POINTS**

- AM OSC TRIM 1620 KC
- AM ANT TRIM 1400 KC
- T7 - AM IF 455KC (TOP & BOT)
- T8 - AM IF 455KC (TOP & BOT)
- L9-AM OSC CORE 532 KC

- TUNER CHASSIS (HS-1138)**
1. Remove back cover by removing screws and pulling cover back to disengage inter-lock plug.
  2. Remove record storage compartment by removing screw in bracket at bottom of storage compartment. Compress top edges of compartment to remove it.
  3. Disconnect cables, remove the chassis mounting screws and lift chassis out. Power amp chassis can be removed by removing screws holding chassis to cabinet bottom and lifting chassis out. Be sure all cables are disconnected before removing chassis.

- CHASSIS REMOVAL**  
Pre-Amp (HS-1137)
1. Remove control knobs.
  2. Remove back cover by removing screws.
  3. Remove record storage compartment by removing its bezel and then compressing top edges.
  4. Remove 4 hex nuts and 1 machine screw located next to loudness control.
  5. Pull pre-amp down and disconnect any leads if necessary.

